



MBR10100 THRU MBR10200

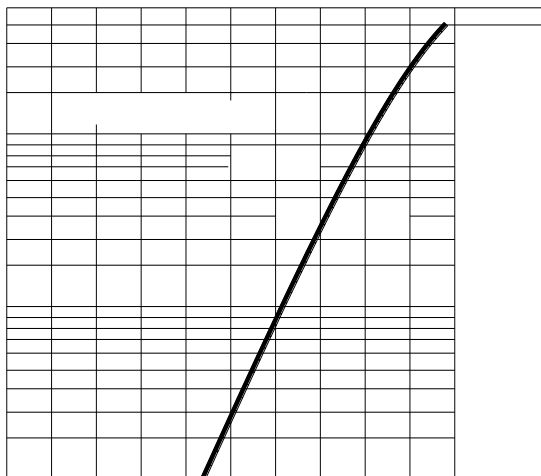
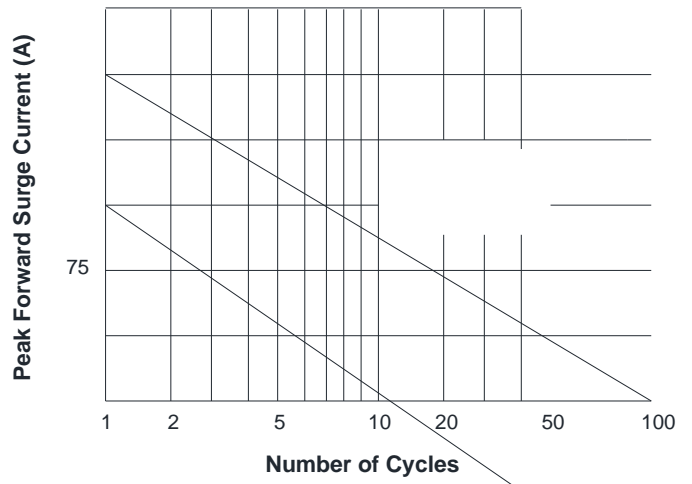
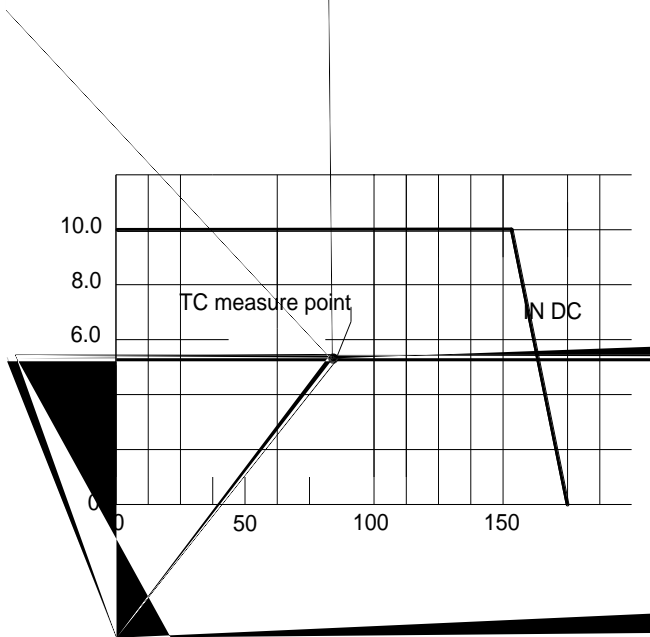
Thermal Characteristics $T_a=25$ Unless otherwise specified

| PARAMETER | | SYMBOL | UNIT | MBR10100 | MBR10150 | MBR10200 |
|--------------------|---------------------------|-----------|-------------|----------|----------|----------|
| Thermal Resistance | Between junction and case | R_{j-c} | $^{\circ}W$ | 2.0 | | |

Ordering Information (Example)

| PREFERRED P/N | UNIT WEIGHT(g) | MINIIMUM PACKAGE(pcs) | INNER BOX QUANTITY(pcs) | OUTER CARTON QUANTITY(pcs) | DELIVERY MODE |
|------------------------|-----------------|-----------------------|-------------------------|----------------------------|---------------|
| MBR10100 THRU MBR10200 | Approximate 1.8 | 50 | 1000 | 5000 | Tube |

Characteristics (Typical)

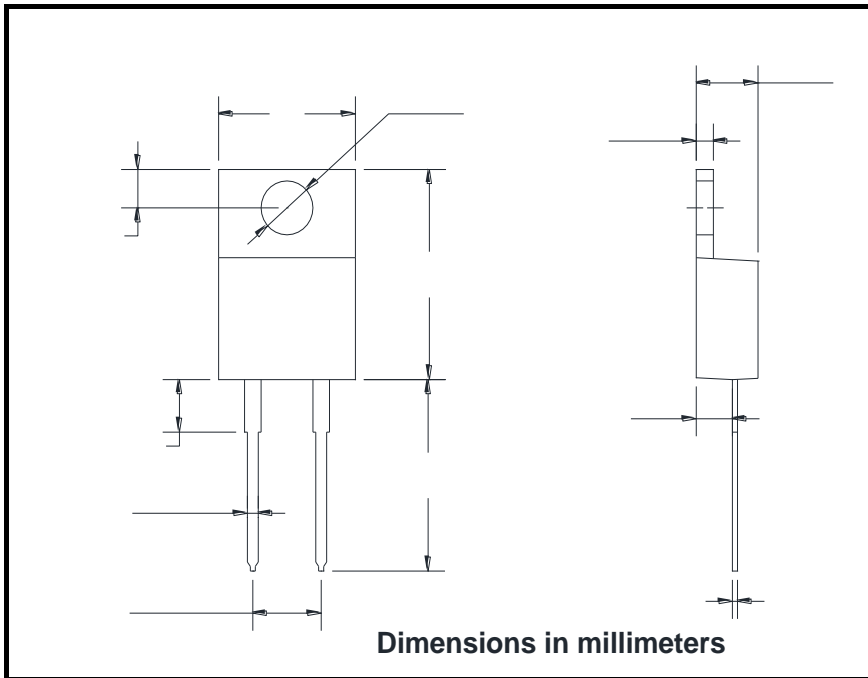


01 1



MBR10100 THRU MBR10200

Outline Dimensions



| TO-220AC | | |
|----------|-------|-------|
| Dim | Min | Max |
| A | 9.95 | 10.35 |
| B | 2.55 | 2.95 |
| C | 3.75 | 4.05 |
| D | 14.95 | 15.25 |
| E | 3.75 | 4.25 |
| F | 0.26 | 0.5 |
| G | 0.68 | 0.94 |
| H | 13.3 | 13.9 |
| I | 4.86 | 5.26 |
| J | 4.38 | 4.78 |
| K | 1.14 | 1.4 |
| L | 2.37 | 2.79 |

